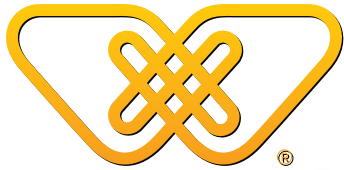




# WaffleGrip® Trendelenburg Positioning System + BackSaver™ Slide Sheet

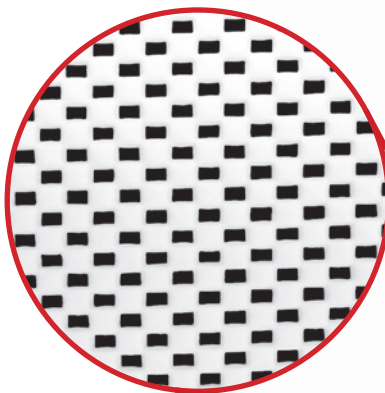
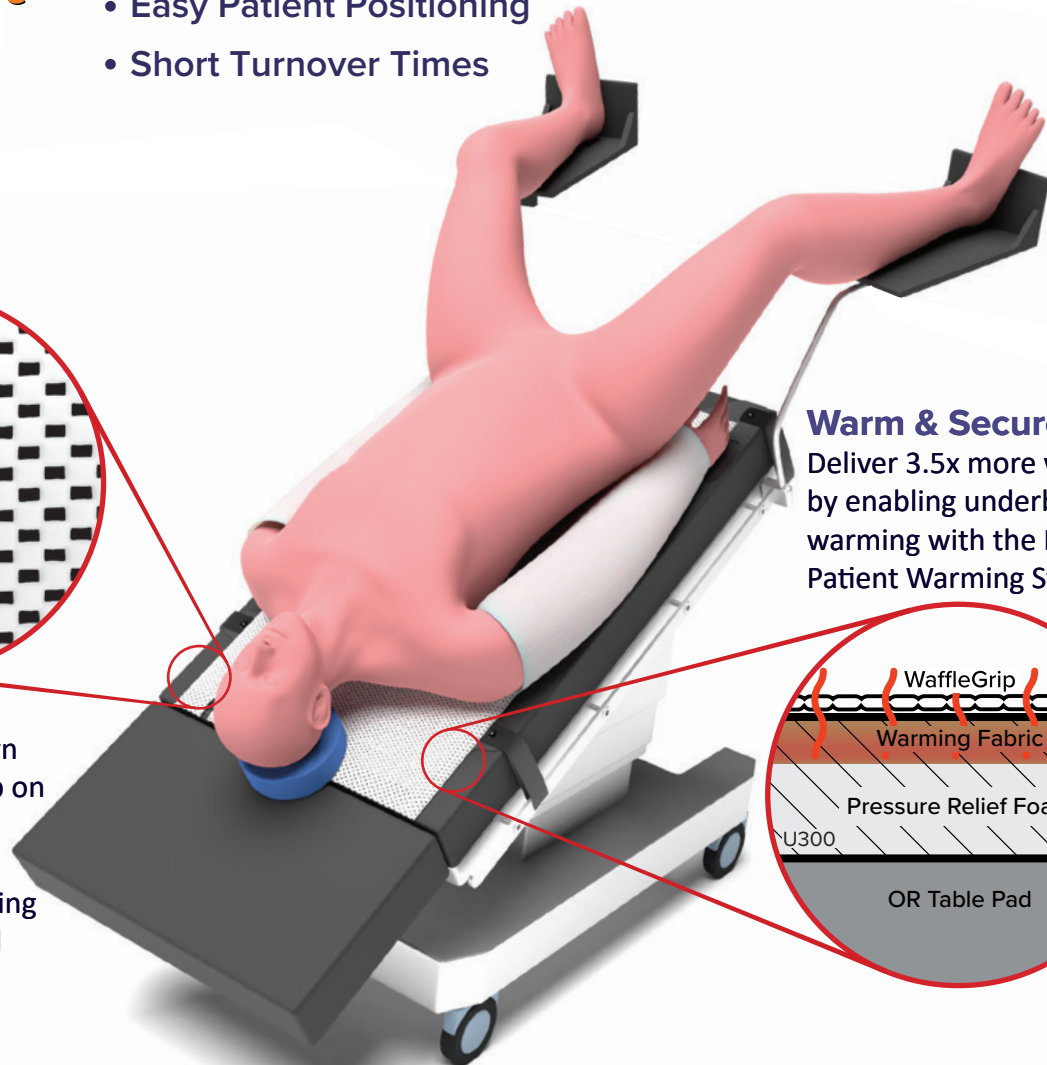


**WaffleGrip**  
Warm & Secure

## Technology Integration

That Optimizes Surgical Efficiency and Safety

- Safe Trendelenburg Securement
- Patient Warming
- Easy Patient Positioning
- Short Turnover Times

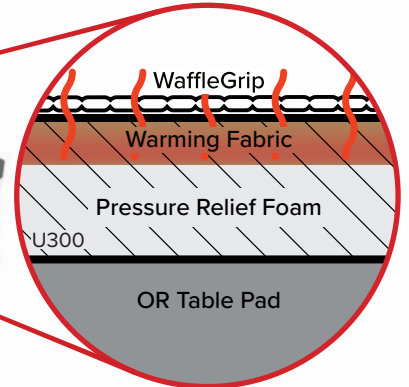


### No Sliding

Unique waffle pattern evenly disperses grip on patient, decreasing localized shearing forces, while increasing mechanical hold and friction.

### Warm & Secure

Deliver 3.5x more warming by enabling underbody warming with the HotDog Patient Warming System.



Eleanor Markle, RN, Robotic Program Coordinator

“ [WaffleGrip] is easy to use, easy to reposition, easy to educate staff and physicians on, and the warming is an additional benefit. Set-up is fast, so it doesn't delay OR turnover. It even comes with a slide sheet, making it very easy to reposition patients...Housekeeping loves, loves, loves it! ”

# Integration Optimizes Efficiency, Safety, & Outcomes



## Better Warming

Hypothermia is common during Trendelenburg positioning due to the minimal surface area available to warm. Not anymore! Increase warming surface area by 3.5x.



## Efficient & Convenient

The integrated slide sheet allows effortless positioning to improve staff safety, and the perineal drape helps manage fluids...all while the patient remains Warm & Secure.



## Improve Securement

AORN guidelines recommend friction-based solutions for Steep T securement to prevent the risk of brachial plexus injury. WaffleGrip's anti-slip technology is suitable for high-BMI patients.

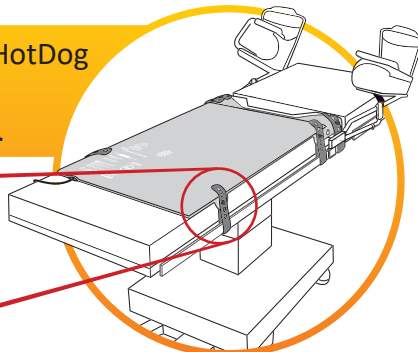
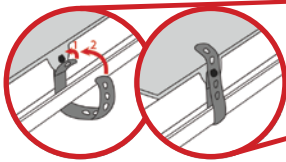


## Cost Savings

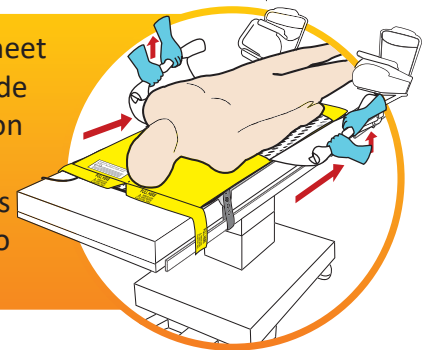
Not only does improving efficiency in set-up and positioning save valuable time and money, but WaffleGrip also is more cost effective than other Trendelenburg positioners.

## Easy Setup & Repositioning

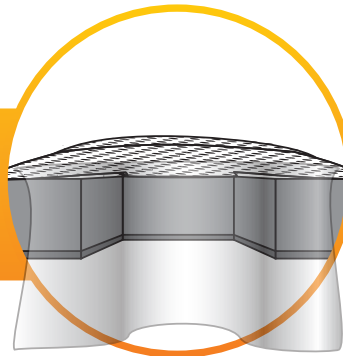
Easily secure the U300 HotDog Warming Mattress with intuitive, durable straps.



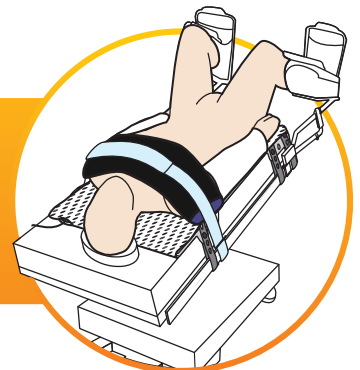
The BackSaver Slide Sheet allows you to easily slide the patient into position without straining your back. The Slide Sheet is easily removed prior to tilting the table.



The Perineal Drape keeps the support surface clean by directing fluids to one designated area.



Operate on a warm patient without worrying about movement or hypothermia. (Shown with optional B500)



The WaffleGrip Positioning System + BackSaver Slide Sheet (PN A301) includes 10 complete disposable WaffleGrip Kits:

WaffleGrip pad with perineal drape, BackSaver Slide Sheet, non-woven draw sheet with WaffleGrip, and disposable strap



Augustine  
Surgical Inc.  
Making Surgery Safer

Must be used in conjunction with HotDog Patient Warming System.

[www.hotdogwarming.com/patents](http://www.hotdogwarming.com/patents)

©2021 Augustine Temperature Management. All Rights Reserved.

Rx Only

M214EN Rev D 06/21

6581 City West Parkway  
Eden Prairie, MN 55344  
952-746-1720 or 888-439-2767  
email: [info@aug surg.com](mailto:info@aug surg.com)